

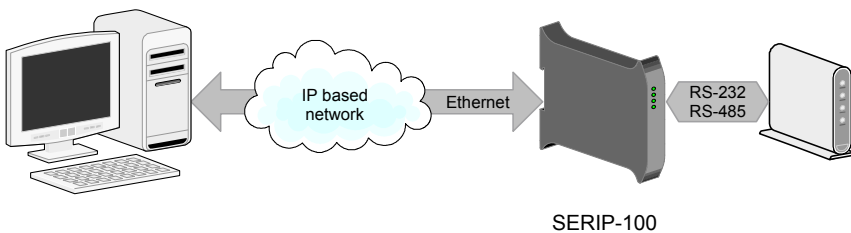
SERIP-100 / SERIP-102

Serial Device Server
Serial to Ethernet Converter



SERIP-100 and **SERIP-102** are single and dual port serial to Ethernet interface converters. Both models enables serial devices to connect to an IP-based Ethernet LAN.

The gateway receives data on the serial port, converts the data stream into either a TCP or UDP packet and transmits the packet via the Ethernet network. Vice versa, data contained in packets received on the network interface are transmitted on the serial port.



Two gateways operating in UDP tunneling mode can be used to overcome the length limitation of RS-232 and to connect two serial devices utilizing IP network infrastructure.

Configuration of the gateway is simple and conveniently performed using a web browser which connects to the embedded web server.

The unit's firmware adheres to the Internet Standards (RFCs) as close a possible. This provides it with a high degree of compatibility with a broad range of available commercial and open source middleware, drivers and utilities.

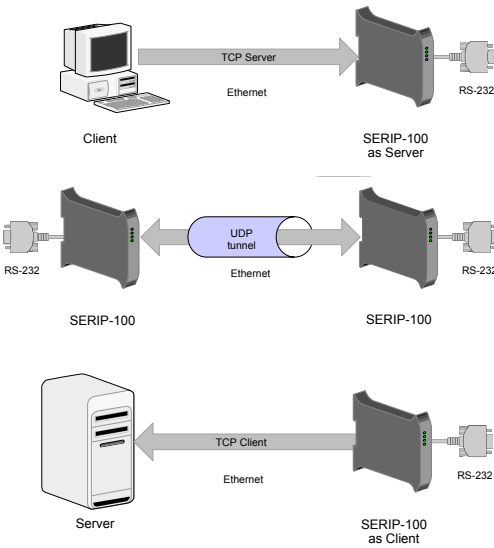
Features

- Single or dual serial port models
- Versatile modes of operation (Server, Client, UDP tunnel)
- Telnet protocol compliant (any port)
- Includes SERIP Toolkit with virtual COM port redirector software for Windows operating systems
- Compatible with the ttyd virtual device driver and Termpkg package for Linux
- Embedded web server for easy configuration and commissioning using a web browser
- Firmware upgradeable via Ethernet
- DIN rail mountable
- 24 V DC (10-30 V) power supply
- Status LEDs for power, Ethernet link and communication status

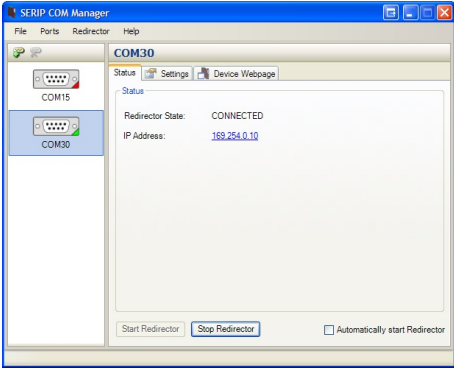
SERIP-100



Operating Modes



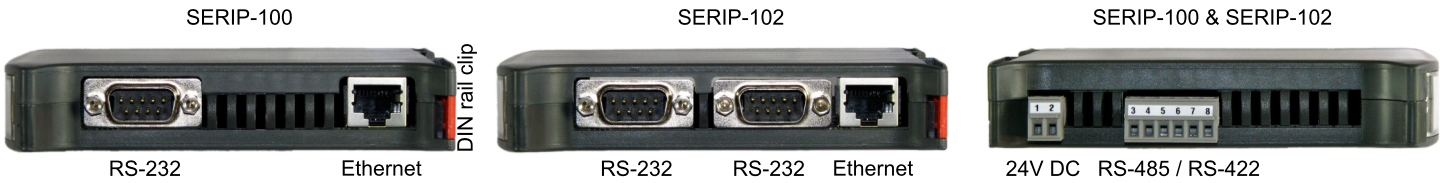
COM Port Redirector



Order Information

Model number	Configuration
SERIP-100	Gateway with Ethernet, 1 serial port RS-232, RS-485 or RS-422, DIN rail enclosure
SERIP-102	Gateway with Ethernet, 2 serial ports RS-232 or RS-485 or 1 port RS-422, DIN rail enclosure

Connections



Specifications

SERIP-100	SERIP-102
1 Ethernet	1 Ethernet
1 Serial port: RS-232, RS-485 or RS-422	2 Serial ports: 2 x RS-232 or 2 x RS-485 or 1 x RS-232 + 1 x RS-485 or 1 x RS-422
Serial Port 1	Serial Port 2
RS-485/RS-422	RS-485
<ul style="list-style-type: none"> EIA-485-A, 2-wire or 4-wire 300-115200 bps Up to 32 nodes 	<ul style="list-style-type: none"> EIA-485-A, 2-wire 300-115200 bps Up to 32 nodes
RS-232	RS-232
<ul style="list-style-type: none"> EIA-232-F DTE DE9M with EIA-574 pinout RXD, TXD, RTS, CTS, DTR, DSR, DCD, RI signals 300-115200 bps 	<ul style="list-style-type: none"> EIA-232-F DTE DE9M with EIA-574 pinout RXD, TXD signals 300-115200 bps

Ethernet port

- 1 (SERIP-100) or 2 (SERIP-102) virtual serial port connections
- Raw and Telnet protocols (RFC 854, RFC 855, RFC 2217)
- IP, TCP, HTTP, ARP, TFTP
- IEEE 802.3i 10BASE-T
- 1.5 kV galvanic isolation

User interface

- Power, Ethernet & Communication Status LEDs
- Web browser interface for Monitoring & Configuration

Power requirements

- 10-30 V DC, 750 mW
- 30 mA typical @ 24 V DC

High availability

- Watchdog supervision
- Brown-out detection

Electromagnetic compatibility

- Emissions CISPR 22/EN 55022 (Class A)
- Immunity EN55024
- Electrostatic discharge EN61000-4-2
- Radiated RF EN61000-4-3
- Fast transients EN61000-4-4
- Conducted RF EN61000-4-6

Environment

- 0° to 60 °C / 32 to 140 °F operating
- 25° to 80 °C / -13 to 185 °F storage
- 10 to 95% humidity, non-condensing

Form factor / enclosure

- Self-extinguishing PC/ABS (UL 94-V0)
- 35 mm DIN rail mountable
- IP 20 / NEMA Type 1
- Convection cooling
- 101 x 22.5 x 120 mm / 3.98 x 0.886 x 4.72 in
- 0.12 kg / 0.265 lbs

Compliance

- C-Tick
- CE, RoHS
- FCC Part 15 (Class A)
- ICES-003 (Class A)

www.proconX.com
 mail@proconx.com
 Tel +61-3376 3911



DSSERIP100-2201 - © proconX Pty Ltd. Specifications subject to change without notice. proconX is a trademark of proconX Pty Ltd. Windows is a registered trademark of Microsoft Corporation in the United States and other countries. All other trademarks and logos are property of their respective owners.